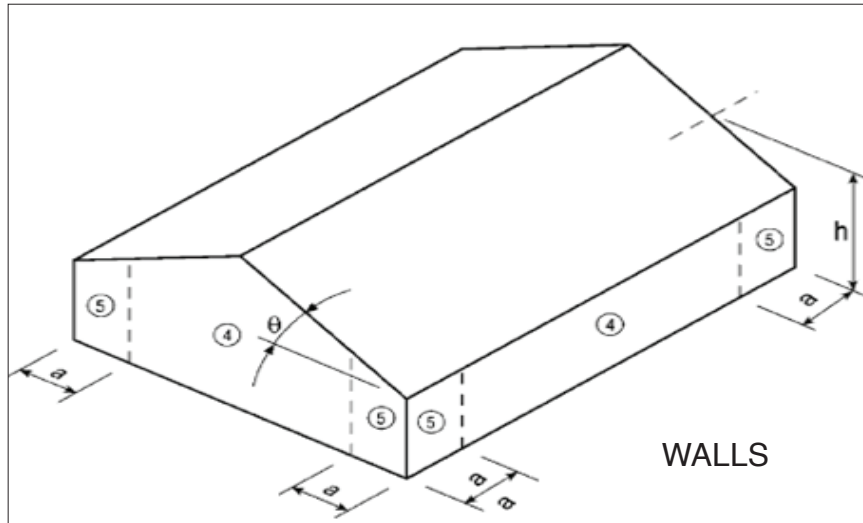


Wind Conversion Calculation for DP Ratings

Follow these simple steps to calculate the DP Ratings

Step 1

- Choose the Zone. Zone 4 is in the center of the wall and 5 is within 4 ft of the corner.



Step 2

- Choose the size of the unit. A 23 square foot specimen would be tested to the 20 Sq.Ft. pressure. An 18 square foot specimen would be tested to the 10 square foot pressure, etc... as described in the building code

Wind Speed

Zone	Sq.Ft.	Wind Speed									
		85 mph		90 mph		100 mph		105 mph		110 mph	
4	10	13.0	-14.1	14.6	-15.8	18.0	-19.5	19.8	-21.5	21.8	-23.6
4	20	12.4	-13.5	13.9	-15.1	17.2	-18.7	18.9	-20.6	20.8	-22.6
4	50	11.6	-12.7	13.0	-14.3	16.1	-17.6	17.8	-19.4	19.5	-21.3
4	100	11.1	-12.2	12.4	-13.6	15.3	-16.8	16.9	-18.5	18.5	-20.4
5	10	13.0	-17.4	14.6	-19.5	18.0	-24.1	19.8	-26.6	21.8	-29.1
5	20	12.4	-16.2	13.9	-18.2	17.2	-22.5	18.9	-24.8	20.8	-27.2
5	50	11.6	-14.7	13.0	-16.5	16.1	-20.3	17.8	-22.4	19.5	-24.6
5	100	11.1	-13.5	12.4	-15.1	15.3	-18.7	16.9	-20.6	18.5	-22.6

Zone	Sq.Ft.	Wind Speed											
		120 mph		125 mph		130 mph		140 mph		145 mph		150 mph	
4	10	25.9	-28.1	28.1	-30.5	30.4	-33.0	35.3	-38.2	37.8	-41.0	40.5	-43.9
4	20	24.7	-26.9	26.8	-29.2	29.0	-31.6	33.7	-36.7	36.1	-39.3	38.7	-42.1
4	50	23.2	-25.4	25.2	-27.5	27.2	-29.8	31.6	-34.6	33.9	-37.1	36.2	-39.7
4	100	22.0	-24.2	23.9	-26.3	25.9	-28.4	30.0	-33.0	32.2	-35.4	34.4	-37.8
5	10	25.9	-34.7	28.1	-37.6	30.4	-40.7	35.3	-47.2	37.8	-50.6	40.5	-54.2
5	20	24.7	-32.4	26.8	-35.1	29.0	-38.0	33.7	-44.0	36.1	-47.2	38.7	-50.5
5	50	23.2	-29.3	25.2	-31.8	27.2	-34.3	31.6	-39.8	33.9	-42.7	36.2	-45.7
5	100	22.0	-26.9	23.9	-29.2	25.9	-31.6	30.0	-36.7	32.2	-39.3	34.4	-42.1

Wind Conversion Calculation for DP Ratings

(continuation from Page 1)

Step 3

• Choose your roof height and exposure. Roof height is dimension h in the photo below and is taken from a point Π between the eave and the peak of the roof. Exposure typically, exposure B is 120 mph and less and exposure C is 130 and higher.

MEAN ROOF HEIGHT	EXPOSURE	
	B	C
15	1.00	1.21
20	1.00	1.29
25	1.00	1.35
30	1.00	1.40
35	1.05	1.45
40	1.09	1.49
45	1.12	1.53
50	1.16	1.56
55	1.19	1.59
60	1.22	1.62

